

EVENTS - BRANDING - OUT OF HOME MEDIA



Screen

Dimensions:

2.88m width x 1.68m height

Resolution: 600 x 350 pixels

Brightness: 6 500 NIT

Pitch: 4.8mm

Minimum viewing distance : 5m

Structure

Dimensions: 3m length, 3m width

Maximal height (screen bottom): 3.55m

Screen rotation: 360°

Information

Electricity: 220V - 16A

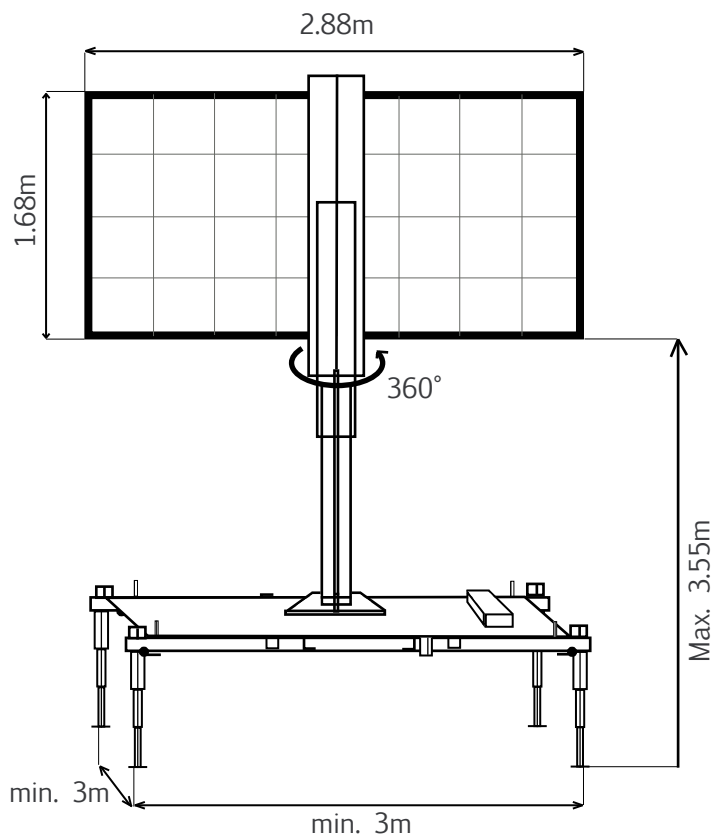
Consumption: 1 500 Watts/h

Equipped: Modem 4G, Player video

Input signal: VGA, DVI, (HD)SDI, HDMI

Remote content update

Ready to operate in 15 minutes



Option

Possibility to rent a plain black tarpaulin to hide the structure.